
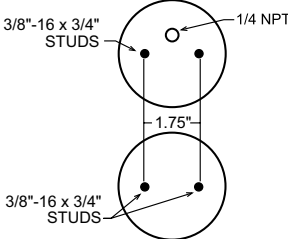
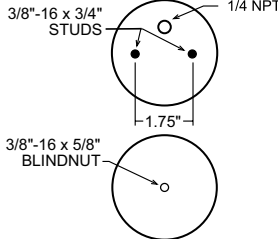
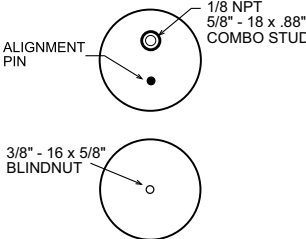

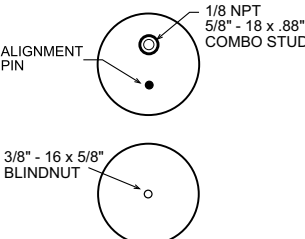
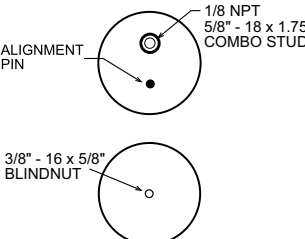
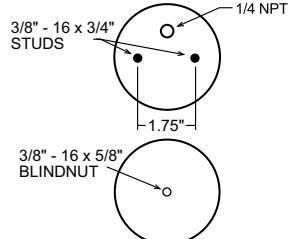
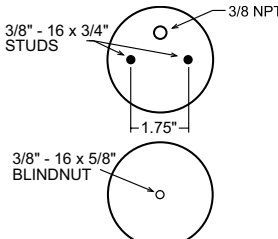
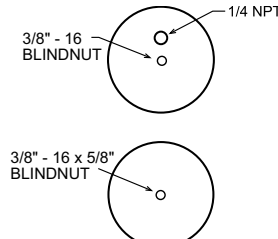
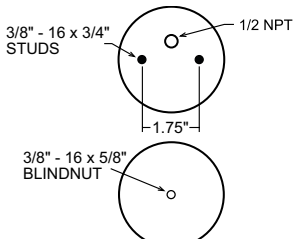


TOW LIKE A PRO




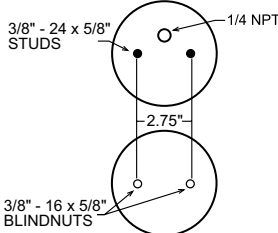
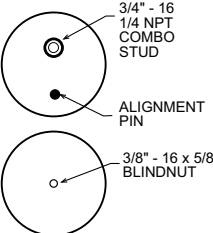
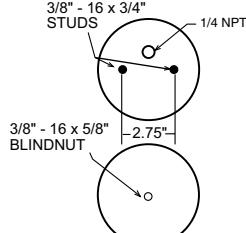
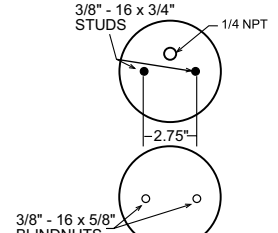
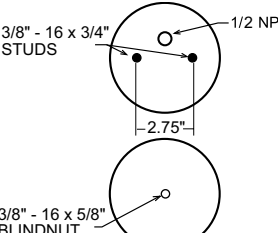
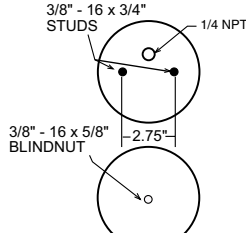
Standard air springs – up to 100 PSI


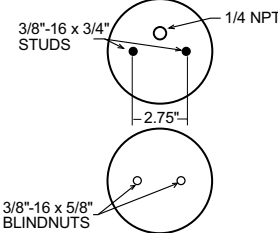
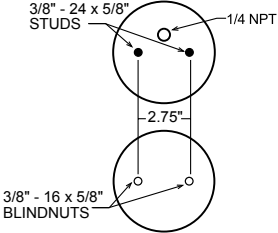
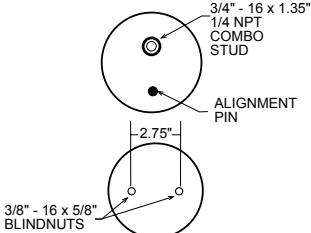
Ride-Rite is the original air spring provider, offering a wide variety of load-leveling solutions. Spring types include double convoluted, reversible sleeve, and tapered sleeve. Use this section to determine replacement air springs or the right air spring for your custom build.


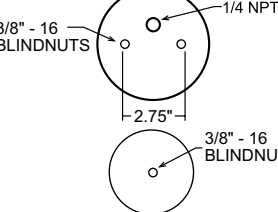
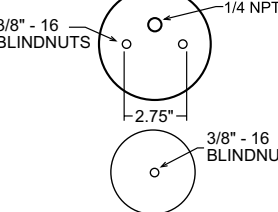
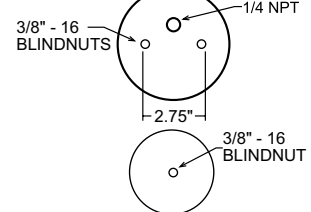
<p>268C</p>  <p>Compressed Height 2.80" Extended Height 7.00" Ride Height 4.50" - 5.50" Max. Diameter 6.40"</p> <p>1,600 lbs per air spring*</p>	<p>6764</p>  <p>3/8"-16 x 3/4" STUDS 1/4 NPT 1.75" 3/8"-16 x 3/4" STUDS</p>	<p>6762</p>  <p>3/8"-16 x 3/4" STUDS 1/4 NPT 1.75" 3/8"-16 x 5/8" BLINDNUT</p>	<p>6766</p>  <p>1/8 NPT 5/8" - 18 x .88" COMBO STUD ALIGNMENT PIN 3/8" - 16 x 5/8" BLINDNUT</p>
<p>267C 1.5</p>  <p>Compressed Height 2.80" Extended Height 8.30" Ride Height 5.50" - 6.50" Max. Diameter 6.60"</p> <p>2,400 lbs per air spring*</p>	<p>6397</p>  <p>1/8 NPT 5/8" - 18 x .88" COMBO STUD ALIGNMENT PIN 3/8" - 16 x 5/8" BLINDNUT</p>	<p>6410</p>  <p>1/8 NPT 5/8" - 18 x 1.75" COMBO STUD ALIGNMENT PIN 3/8" - 16 x 5/8" BLINDNUT</p>	<p>6781</p>  <p>1/4 NPT 3/8" - 16 x 3/4" STUDS 1.75" 3/8" - 16 x 5/8" BLINDNUT</p>
<p>6782</p>  <p>3/8" - 16 x 3/4" STUDS 3/8 NPT 1.75" 3/8" - 16 x 5/8" BLINDNUT</p>	<p>6784</p>  <p>1/4 NPT 3/8" - 16 BLINDNUT 3/8" - 16 x 5/8" BLINDNUT</p>	<p>7882</p>  <p>1/2 NPT 3/8" - 16 x 3/4" STUDS 1.75" 3/8" - 16 x 5/8" BLINDNUT</p>	

* Load is nominal @100 PSI. Load will vary with height & pressure.

SERVICE AIR SPRINGS & TECH SPECS


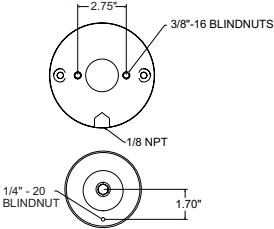
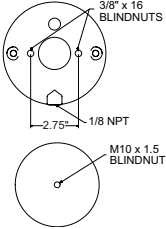
<p>224C</p>  <p>Compressed Height 3.00" Extended Height 8.91" Ride Height 5.50" - 7.00" Max. Diameter 7.52</p> <p>2,500 lbs per air spring*</p>	<p>0335</p>  <p>3/8" - 24 x 5/8" STUDS 1/4 NPT 2.75" 3/8" - 16 x 5/8" BLINDNUTS</p>	<p>6401</p>  <p>3/4" - 16 1/4 NPT COMBO STUD ALIGNMENT PIN 3/8" - 16 x 5/8" BLINDNUT</p>	<p>6873</p>  <p>3/8" - 16 x 3/4" STUDS 1/4 NPT 2.75" 3/8" - 16 x 5/8" BLINDNUT</p>
	<p>6859</p>  <p>3/8" - 16 x 3/4" STUDS 1/4 NPT 2.75" 3/8" - 16 x 5/8" BLINDNUTS</p>	<p>6776</p>  <p>3/8" - 16 x 3/4" STUDS 1/2 NPT 2.75" 3/8" - 16 x 5/8" BLINDNUT</p>	<p>6872</p>  <p>3/8" - 16 x 3/4" STUDS 1/4 NPT 2.75" 3/8" - 16 x 5/8" BLINDNUT</p>


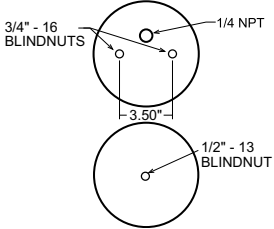
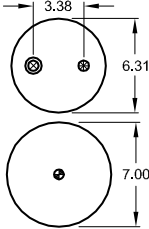
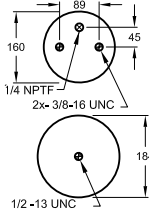
<p>26C</p>  <p>Compressed Height 2.80" Extended Height 7.00" Ride Height 4.50" - 5.50" Max. Diameter 6.40"</p> <p>2,800 lbs per air spring*</p>	<p>7714</p>  <p>3/8" - 16 x 3/4" STUDS 1/4 NPT 2.75" 3/8" - 16 x 5/8" BLINDNUTS</p>	<p>7325</p>  <p>3/8" - 24 x 5/8" STUDS 1/4 NPT 2.75" 3/8" - 16 x 5/8" BLINDNUTS</p>	<p>7701</p>  <p>3/4" - 16 x 1.35" 1/4 NPT COMBO STUD ALIGNMENT PIN 2.75" 3/8" - 16 x 5/8" BLINDNUTS</p>
--	---	--	---


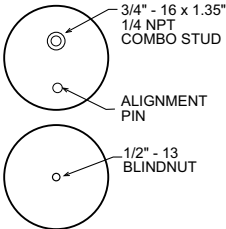
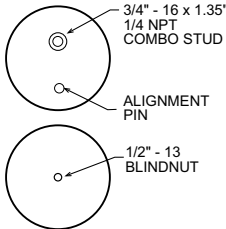
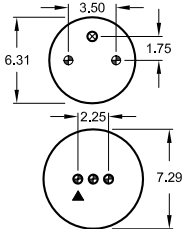
<p>110/70</p>  <p>Max. Diameter 5.70"</p> <p>1,500 lbs per air spring*</p>	<p>9000</p>  <p>3/8" - 16 BLINDNUTS 1/4 NPT 2.75" 3/8" - 16 BLINDNUT</p> <p>Compressed Height 6.25" Extended Height 10.25" Ride Height 8.25"</p>	<p>9001</p>  <p>3/8" - 16 BLINDNUTS 1/4 NPT 2.75" 3/8" - 16 BLINDNUT</p> <p>Compressed Height 4.37" Extended Height 8.37" Ride Height 6.38"</p>	<p>9002</p>  <p>3/8" - 16 BLINDNUTS 1/4 NPT 2.75" 3/8" - 16 BLINDNUT</p> <p>Compressed Height 5.25" Extended Height 9.25" Ride Height 7.25"</p>
---	--	--	---

* Load is nominal @100 PSI. Load will vary with height & pressure.

SERVICE AIR SPRINGS & TECH SPECS

<p>140/95</p>  <p>Max. Diameter 6.44" 1,500 lbs per air spring*</p>	<p>9047</p>  <p>Compressed Height 8.00" Extended Height 17.80" Ride Height 11.34"</p>	<p>9055</p>  <p>Compressed Height 6.50" Extended Height 13.50" Ride Height 8.90"</p>	
---	---	---	--

<p>1T14C1</p>  <p>3,200 lbs per air spring*</p>	<p>2107</p>  <p>Compressed Height 4.25" Extended Height 13.60" Ride Height 9.80" Max. Diameter 9.10"</p>	<p>2131</p>  <p>Compressed Height 3.20" Extended Height 12.25" Ride Height 6.60" Max. Diameter 6.62"</p>	<p>5311</p>  <p>Compressed Height 5.40" Extended Height 14.30" Ride Height 9.25" Max. Diameter 6.62"</p>
--	---	--	--

<p>1T14C3</p>  <p>3,200 lbs per air spring*</p>	<p>5294</p>  <p>Ride Height 6.00" Maximum Diameter 9.20"</p>	<p>5295</p>  <p>Ride Height 6.70" Maximum Diameter 9.20"</p>	<p>5412</p>  <p>Ride Height 11.00" Maximum Diameter 6.62"</p>
---	--	---	---


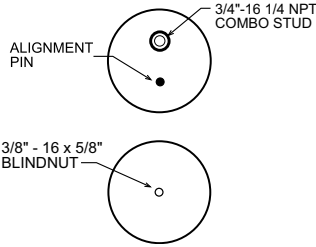
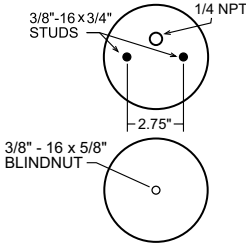

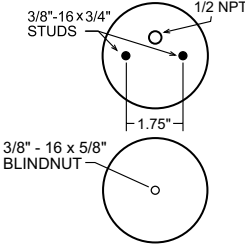
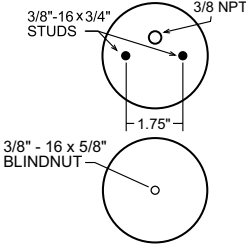
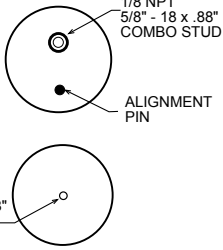
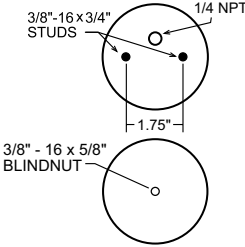
* Load is nominal @100 PSI. Load will vary with height & pressure.

FOR THOSE WHO DEMAND MORE

RED Label™ Extreme Duty air springs – up to 150 PSI per air spring

Firestone continues to raise the bar on high pressure and high-quality air springs with our RED Label™ edition. The air spring operates up to 150 PSI and has a test pressure of 400 PSI. The RED Label™ parts are not intended to supplement the standard air springs in the standard Ride-Rite™ kits. The RED Label™ parts are intended for use with RED Label™ kits or on custom applications only.



<p>224C</p>  <p>Compressed Height 3.00" Extended Height 8.91" Ride Height 5.50" - 7.00" Max. Diameter 7.52"</p> <p>3,750 lbs per air spring*</p>	<p>8401</p> 	<p>8873</p> 	
<p>267C 1.5</p>  <p>Compressed Height 2.80" Extended Height 8.30" Ride Height 5.50" - 6.50" Max. Diameter 6.60"</p> <p>2,800 lbs per air spring*</p>	<p>7671</p> 	<p>7703</p> 	<p>8397</p> 
	<p>8781</p> 		

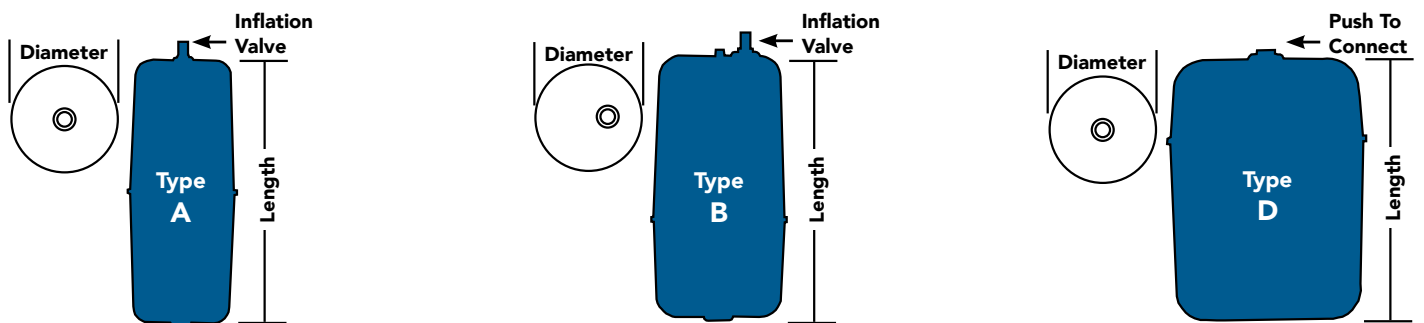
* Load is nominal @100 PSI. Load will vary with height & pressure.

THE NEXT LEVEL FOR COIL SPRINGS



Service parts and tech specs

Coil-Rite air helper springs are designed to fit inside existing coil springs to create a variable spring rate for a variety of cars, minivans, light trucks, RVs and SUVs.

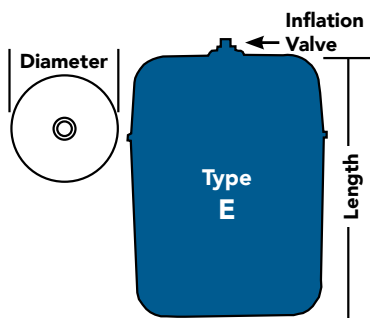


COIL-RITE™ SERVICE PARTS & TECH SPECS



Coil-Rite™ spring	Diameter	Length	Type
6003	4.75"	10.00"	D
6005*	5.50"	5.00"	D
6006*	5.50"	7.00"	D
6007*	5.50"	8.00"	D
6009*	5.50"	10.00"	D
6013*	4.00"	5.00"	D
6014*	4.00"	8.00"	D
6015*	4.00"	9.00"	D
6017*	4.75"	4.00"	D
6018*	4.00"	7.00"	D
6020*	4.75"	6.50"	D
6021*	4.75"	9.00"	D
6023*	4.75"	12.00"	D
6024*	4.75"	7.50"	D
6026*	3.56"	8.75"	D
6027	3.56"	7.00"	D
6028*	4.00"	6.00"	D
6100	3.56"	10.50"	A
6102*	4.00"	11.00"	B
6103*	4.75"	10.00"	E
6106*	5.50"	7.00"	E
6111*	4.00"	8.00"	E
6118*	4.00"	7.00"	E
6125*	4.00"	11.00"	E
6133	4.38"	11.00"	E
6134	5.00"	11.00"	E

Please note that items labeled with an "*" are available in kit form only.



AIR ACCESSORY SYSTEMS

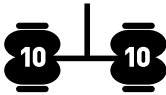

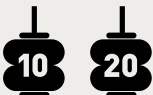

Air supply kits

On-board air source for inflating air springs, tires, rafts, and other pneumatic components. Kits include a compressor, an air tank, and a 25 ft. extension hose.

AIR SUPPLY KITS			
KIT NUMBER	AIR COMPRESSOR	AIR TANK	HOSE
2047	0-30psi/14sec 0-60psi/35sec  9499	1/2 Gallon Tank  9124	25' Airhose  9006
2239	0-30psi/14sec 0-60psi/35sec  9499	3 Gallon Tank  9127	25' Airhose with Gauge  2311

Height control valve kits

Automatically control the air spring height. Choose single or dual height leveling. **Requires Air Command™ or Air Supply system.** Kit includes installation hardware.

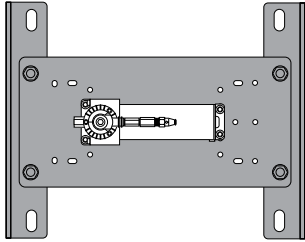
HEIGHT CONTROL VALVE KITS		
KIT NUMBER	SINGLE OR DUAL-LEVELING	VALVE(S)
2186	Single-leveling 	1/8" NPT Ports 
2017	Dual-leveling 	1/8" NPT Ports 

AIR ACCESSORY MOUNTING KITS

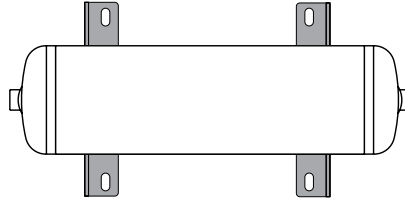
Mounting solutions

Firestone's Air Accessory mounting kits allow pre-assembly of the entire air accessory system, or simply a compressor and/or tank. The mounting plate with attached accessories can then be easily attached to the frame—without drilling—using the provided bail clamps.

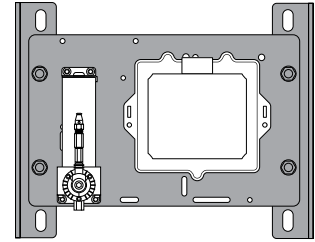
INSTALLATION EXAMPLES USING AIR ACCESSORY MOUNTING KITS



AIR COMPRESSOR



AIR TANK



AIR COMPRESSOR AIR TANK
(Air Compressor and ECU)




AIR SUPPLY KITS



KIT NUMBER	USED TO MOUNT	KIT COMPONENTS	WORKS WITH THESE KITS
2496	Air Tanks		All Firestone tanks except 9166
2497	Compressors		For use with All-In-One Analog kits and kits below 2097 9284 2219 9287 2538 9377 9499
2530	Air Tank and Compressor		2047 2266 2168 2543 2198 2549 2232 2591* 2239 2592*
2612	Compressor		2158 2610 2178 9235 2538

CONTROL PANELS

Control panel service parts

Add control panels to existing air supply setups to offer air pressure control at the flip of a switch. See important note below about electric and pneumatic options.

METAL CONTROL PANELS					
SINGLE CONTROL		DUAL CONTROL		MONITORING ONLY	
					
4.38" x 2.75"		5.75" x 2.75"		3" x 2.75"	
Pneumatic		Replacement gauge (2.03" dia.)		Pneumatic	
White	2225	9181		Replacement gauge (2.07" dia.)	
Black	2149			Monitoring gauge	
Electric		Replacement gauge (2.03" dia.)		Monitoring gauge	
White	2229	9181		White	2196
Black	2191				
		Electric		Replacement gauge (2.07" dia.)	
		White	2260	9201	

PLASTIC CONTROL PANELS			
SINGLE CONTROL		DUAL CONTROL	
			
5.25" x 2.73"		6.50" x 2.9"	
Pneumatic		Replacement gauge	
White	2570	9181	
Electric		Replacement gauge	
White	2572	9181	
		Pneumatic	
White	2574	9201	
		Electric	
White	2576	9201	

REPLACEMENT SWITCH – ALL CONTROL PANELS	
Pneumatic	9074 - With air tank
Electric	9039 - No air tank

How do I know if I need a pneumatic or an electric control panel?




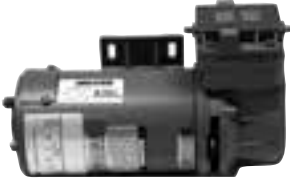
- Pneumatic control panels are used in systems that utilize tanks and pull air from the tank
- Electric control panels activate the compressor directly and do NOT require a tank

What is the difference between single and dual control panels?

- Single control panels inflate and deflate one pair of air springs
- Dual control panels inflate and deflate two individual air springs or two pairs

Air compressors

Firestone air compressors are included in all Air Command™ systems, though they may be purchased separately. All Firestone compressors are direct drive compressors (no oil or belts), so the compressors can be mounted in any position, including upside down. Compressors should be mounted in a clean air location. Mounting holes are 3/16".

AIR COMPRESSORS											
9523		9499				9287					
											
Compressor dimensions		Drill hole dimensions		Compressor dimensions		Drill hole dimensions		Compressor dimensions		Drill hole dimensions	
Length	7.63"	Length	5.50"	Length	8.00"	Length	7.19"	Length	11.24"	Length	8.31"
Width	2.11"	Width	1.41"	Width	3.95"	Width	3.31"	Width	3.94"	Width	3.31"
Height	4.31"			Height	6.30"			Height	6.85"		
9164											
				<p>DO NOT SUBMERGE</p> <p>The compressors are designed to withstand the normal driving conditions of debris and moisture. Care should be taken that the compressors are not submerged into water.</p>							
Compressor dimensions											
Length	12.54"										
Width	5.65"										
Height	8.86"										

AIR COMPRESSORS	Part no.	Max. air pressure	Air tank use (up to gal.)	Duty cycle†	Max. AMP draw	0 - 30 PSI*	0-60 PSI*	Warranty** (yr)	Repl. filter	CFM @ 100 PSI*
Standard Duty	9523	120 PSI (8.3 BAR)	n/a	9%	13 AMPS	17 sec.	42 sec.	1	-	.32
Heavy Duty	9499	150 PSI (10.4 BAR)	3	30%	13 AMPS	14 sec.	35 sec.	2	-	.40
Extreme Duty	9287	150 PSI (10.4 BAR)	6	100%	23 AMPS	7 sec.	18 sec.	2	9350	.94
Xtreme -alt	9164	100 PSI (6.9 BAR)	6	100%	28 AMPS	11 sec.	24 sec.	2	-	-

* Indicates flow rate - how long it takes to fill a 1/2 gallon air tank.
 ** See product-specific warranty guidelines for more information regarding warrantable manufacturing defects.
 †Duty cycle: time compressor is on.

SERVICE PARTS

Find parts and tools

Service parts include air fittings, switches, valves, and more. Some common parts include bulk bags to give professional installers the parts they need, when they need them.

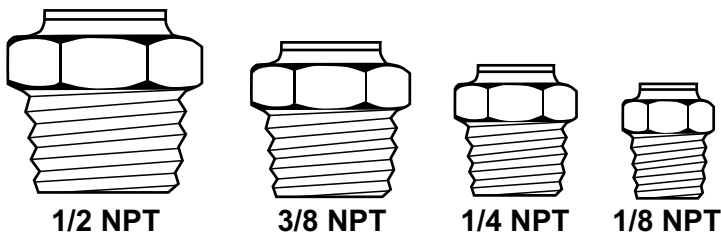
	NAME	PART	DESCRIPTION	QUANTITY
	Inflation valve	3467	1/4" tubing	RETAIL PACK OF 2
		3457	1/4" tubing	BULK BAG OF 6
		3032	1/4" tubing	BULK BAG OF 25
	Male connector	3465	1/4" tubing - 1/8 NPT	RETAIL PACK OF 2
		3463	1/4" tubing - 1/4 NPT	
		3454	1/4" tubing - 1/8 NPT	BULK BAG OF 6
		3455	1/4" tubing - 1/4 NPT	
		3046	1/4" tubing - 1/4 NPT	
	Male elbow	3462	1/4" tubing - 1/4 NPT	RETAIL PACK OF 2
		3456	1/4" tubing - 1/4 NPT	BULK BAG OF 6
		3128	1/4" tubing - 1/8 NPT	BULK BAG OF 25
		3031	1/4" tubing - 1/4 NPT	
	Union T (Push-To-Connect)	3461	1/4" tubing	RETAIL PACK OF 1
		3453	1/4" tubing	BULK BAG OF 6
		3025	1/4" tubing	BULK BAG OF 25
	Male branch swivel T	3273	1/4" tubing - 1/4 NPT	BULK BAG OF 25
	Pressure switch	9016	1/8 NPT male, 90-120 PSI	RETAIL PACK OF 1
		9193	1/8 NPT male, 100-150 PSI	
	Pressure switch	9401	1/8 NPT male, 90-120 PSI	RETAIL PACK OF 1
		9402	1/8 NPT male, 110-145 PSI	
	Compressor check valve	3468	1/8 NPT	RETAIL PACK OF 1

	NAME	PART	DESCRIPTION	QUANTITY
	Compressor T	3066	1/4" tubing - 1/8 NPT	RETAIL PACK OF 1
	Union	3466	1/4" tubing	RETAIL PACK OF 1
		3079	1/4" tubing	BULK BAG OF 25
	Tubing cutter	9009	Cuts air line squarely and cleanly	RETAIL PACK OF 1
	Coil-Rite™ elbow fitting	3438	Shrader to Push-To-Connect	RETAIL PACK OF 1
	Coil-Rite™ straight fitting	3439	Shrader to Push-To-Connect	RETAIL PACK OF 1
	Inflation valve bracket	7560		RETAIL PACK OF 1
	Fuse tap kit	2526	The fuse tap kit provides an easy, low-impact method to connect the wire harness to the fuse box without splicing or soldering. Keeps the original circuit intact.	RETAIL PACK OF 1
	Extension hoses	9006	25-ft. extension hose	RETAIL PACK OF 1
		2311	25-ft. extension hose with gauge	

Helpful Tools

The scale shown below may be used to assist in identifying the correct NPT (National Standard Taper Pipe Thread) fitting. Thread sealant is applied to the tapered threads. If the fitting is removed, use Teflon™ tape during reinstallation to prevent air leaks.

SHOWN ACTUAL SIZE



NPT Size	Nominal outside diameter
1/2	0.840"
3/8	0.675"
1/4	0.540"
1/8	0.405"

SERVICE PARTS

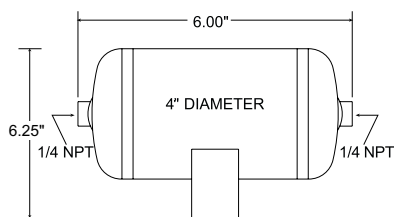
		NAME	PART	DESCRIPTION		
	Dealer fitting pack 1	2359	Includes 4 each: 1/4" union Ts, inflation valves, 1/4 NPT elbow fittings.			
	Dealer fitting pack 2	2360	Includes 4 each: 1/4" union Ts, inflation valves, 1/4 NPT elbow fittings. Includes 2 each: 1/4" unions, 1/4 NPT straight fittings.			
	Dealer fitting pack 3	2395	Includes 6 each: 1/4 NPT elbow fittings, inflation valves. Includes 2 each: Union Ts, 1/4 NPT straight fittings, union fittings. Also includes 100' of 1/4" air line tubing.			
	Dealer fitting pack 4	2567	Includes 4 each: 1/4" union Ts, inflation valves, 1/8 NPT straight fittings.			
	Ride-Rite™/Sport-Rite™ air line service kit	2012	Includes 18' of red 1/4" air line, two 1/4 NPT elbow fittings, one union T, and two inflation valves.			
	Air line tubing		SIZE	LENGTH	COLOR	
		9416	1/4"	30'	Red	
		9145	1/4"	100'	Red	
		9153	1/4"	30'	Black	
		0006	Coil-Rite™ 90° tubing	18'	Blue	
	0048	Coil-Rite™ straight tubing	18'	Blue		

Expand your air supply capabilities in the field

Firestone offers a wide selection of air tanks ranging from 1/4 gallon to 20 gallons. These air tanks are coated internally and externally to resist corrosion. They are tested to SAE J10 compliance and are capable of 150 PSI maximum pressure. **All tanks are made in the USA.**

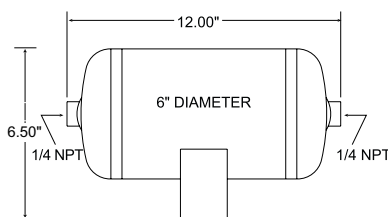
1/4 gallon air tank

9166

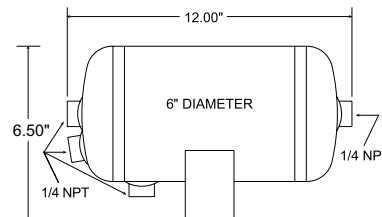


1 gallon air tanks

9125

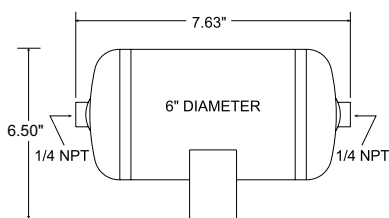


9244



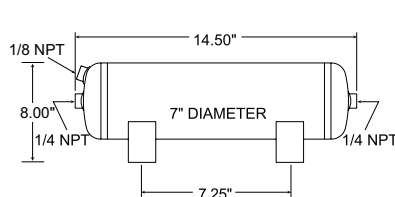
1/2 gallon air tank

9124

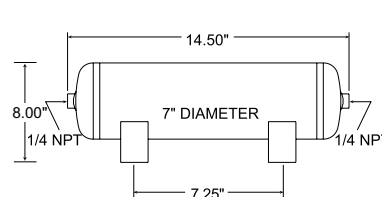


2 gallon air tanks

9420

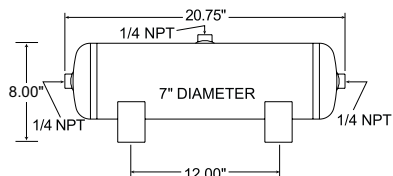


9126

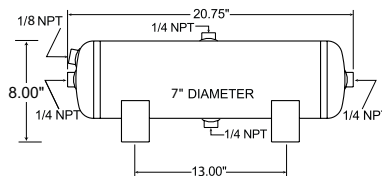


3 gallon air tanks

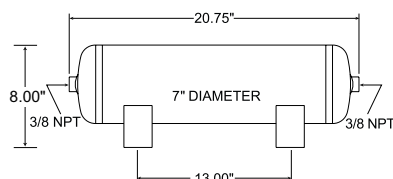
9148



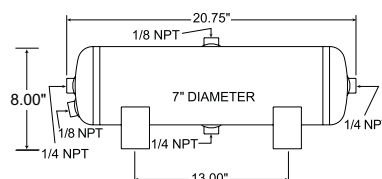
9227



9229



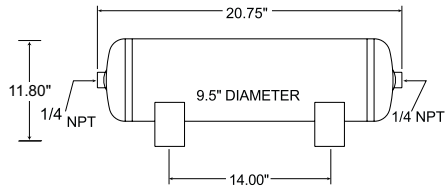
9245



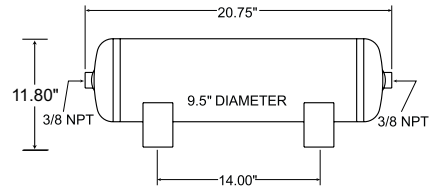
AIR TANKS

5 gallon air tanks

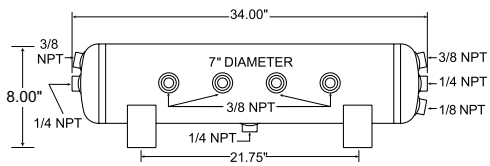
9191



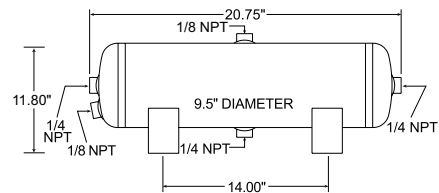
9231



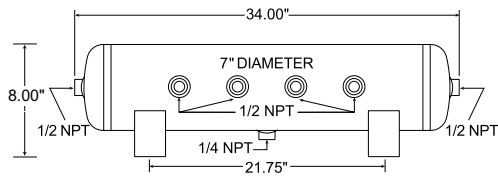
9242



9246



9248



20 gallon air tank

9277

