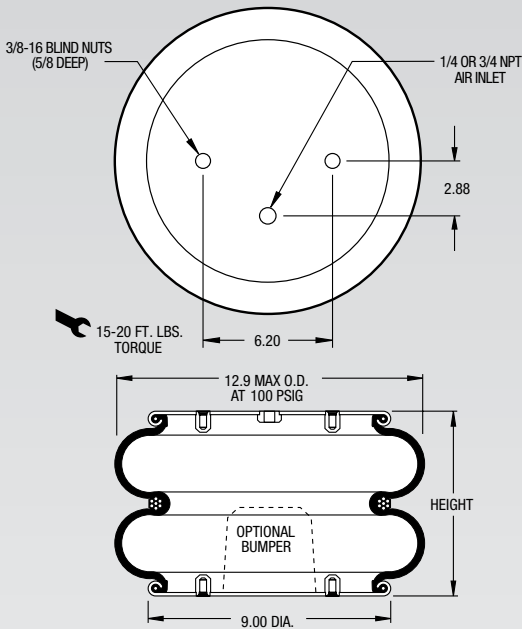


Description		Assembly Order No.
Style 22	Blind nuts, 1/4 NPT	W01-358-7180
	Blind nuts, 1/4 NPT, bumper	W01-358-7400
Two Ply Bellows	Blind nuts, 3/4 NPT	W01-358-7184
	Blind nuts, 3/4 NPT, bumper	W01-358-7185
	Countersunk steel bead rings, 1 5/8 bolts, nuts, washers	W01-358-7431
	Rubber bellows only	W01-358-0226
Assembly weight		13.0 lbs
Force to collapse to minimum height (@ 0 PSIG)...		20 lbs.

Style 210	Blind nuts, 1/4 NPT	W01-358-7251
	Blind nuts, 1/4 NPT, bumper	W01-358-7291
High Strength Bellows	Blind nuts, 3/4 NPT	W01-358-7250
	Countersunk steel bead rings, 1 3/4 bolts, nuts, washers	W01-358-7258
	Rubber bellows only	W01-358-7928

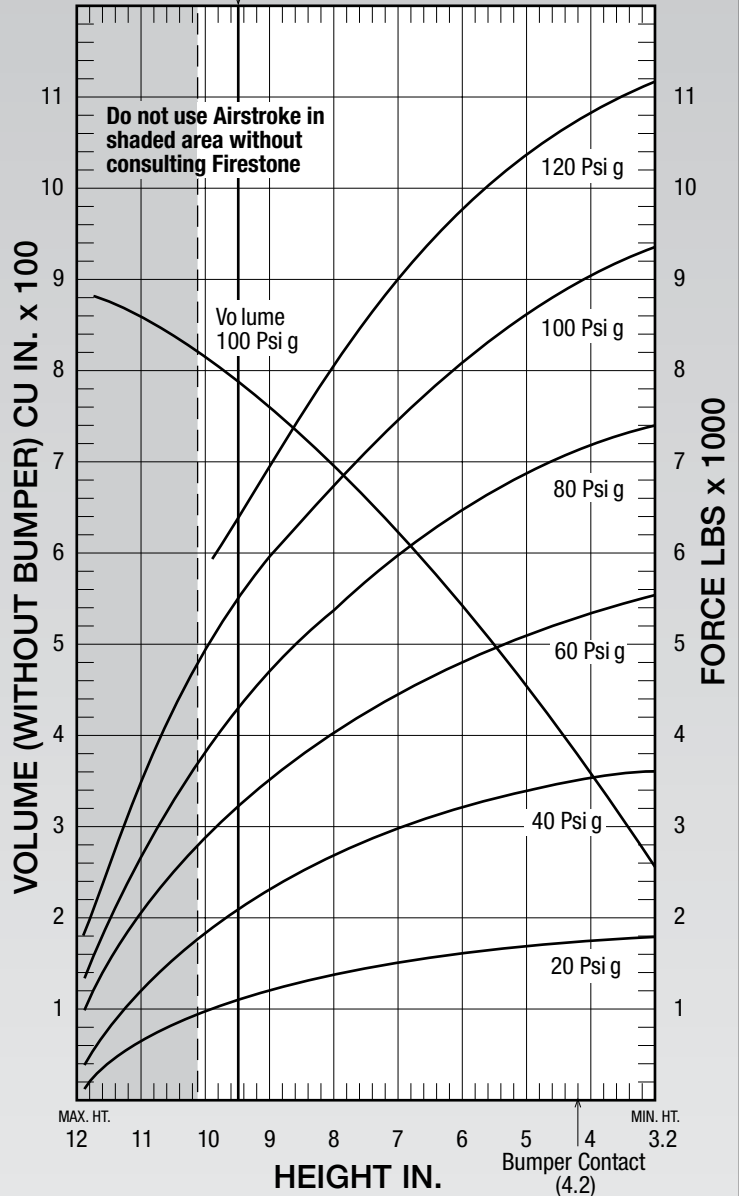


NOTE: A bead plate part is shown. This part is also available with bead rings. See pages 8-10 for explanation.

Dynamic Characteristics at 9.5 in. Design Height (Required for Airmount isolator design only)				
Volume @ 100 PSIG = 782 in ³			Natural Frequency	
Gage Pressure (PSIG)	Load (lbs.)	Spring Rate (lbs./in.)	CPM	HZ
40	2,050	729	112	1.86
60	3,170	1,036	107	1.79
80	4,280	1,373	106	1.77
100	5,400	1,668	104	1.74

Recommended Design Position Static Pressure 0-100 psi

RECOMMENDED AIRMOUNT DESIGN HEIGHT 9.5 INCHES



See page 12 for instructions on how to use chart.

Force Table (Use for Airstroke™ actuator design)						
Assembly Height (in.)	Volume @ 100 PSIG (in ³)	Pounds Force				
		@20 PSIG	@40 PSIG	@60 PSIG	@80 PSIG	@100 PSIG
10.0	809	950	1,810	2,830	3,810	4,840
9.0	752	1,170	2,260	3,460	4,670	5,880
8.0	685	1,310	2,590	3,940	5,350	6,700
7.0	610	1,430	2,900	4,390	5,950	7,450
6.0	529	1,540	3,170	4,780	6,470	8,110
5.0	442	1,640	3,380	5,100	6,880	8,630
4.0	349	1,730	3,520	5,340	7,180	9,020