

# 1T15M-2

# Firestone

# AIRSTROKE™ ACTUATORS

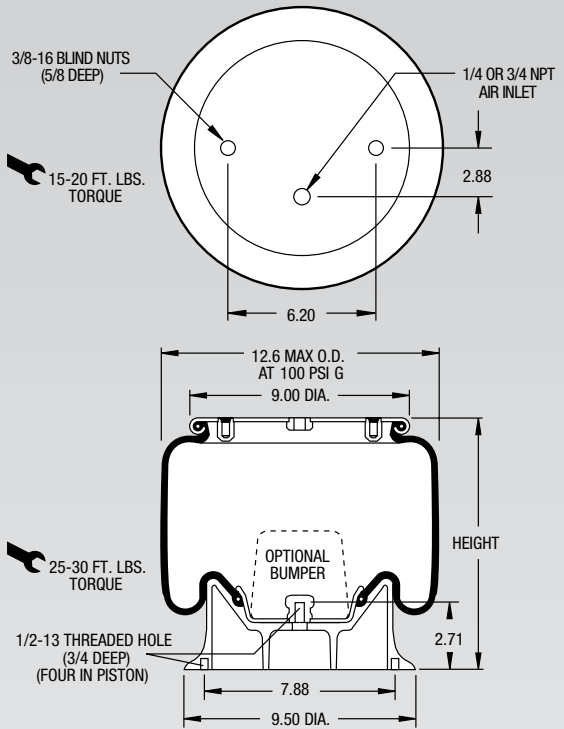
# AIRMOUNT™ ISOLATORS

Description		Assembly Order No.
Style	Blind nuts, 1/4 NPT	W01-358-9042
1T15M-2	Blind nuts, 1/4 NPT, bumper	W01-358-9053
Two	Blind nuts, 3/4 NPT	W01-358-9054
Ply	Blind nuts, 3/4 NPT, bumper	W01-358-9099
Bel lows		
Assembly weight .....		12.5 lbs.

Recommended Design Position Static Pressure 0-100 psi

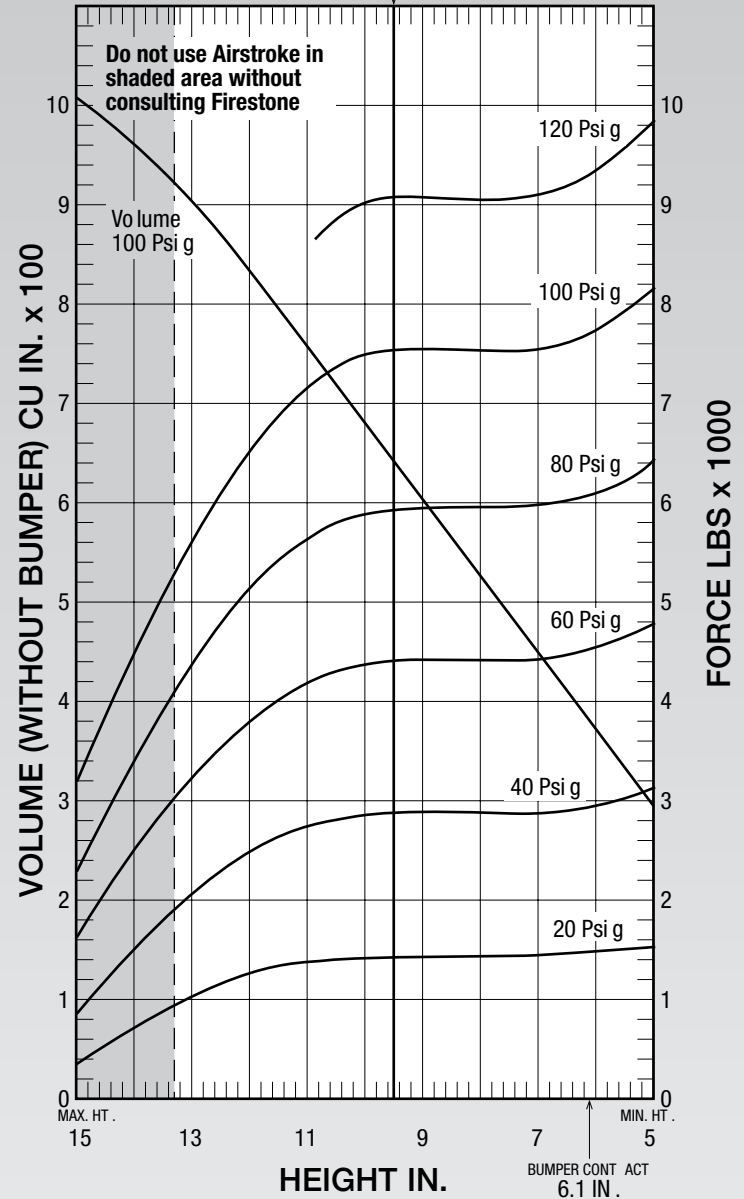
CONSULT FIRESTONE BEFORE USING AS AIRMOUNT

RECOMMENDED AIRMOUNT DESIGN HEIGHT 9.5 INCHES



**NOTE:** Bellows will not compress properly with less than 10 PSIG internal pressure.

**NOTE:** A bead plate part is shown. This part is also available with a bead ring. Bolts are not included. See pages 8-10 for explanation.



See page 12 for instructions on how to use chart.

Dynamic Characteristics at 9.5 in. Design Height (Required for Airmount isolator design only)				
Volume @ 100 PSIG = 648 in <sup>3</sup>			Natural Frequency	
Gage Pressure (PSIG)	Load (lbs.)	Spring Rate (lbs./in.)	CPM	HZ
40	2,850	693	93	1.54
60	4,370	965	88	1.47
80	5,900	1,238	86	1.43
100	7,510	1,510	84	1.40

Force Table (Use for Airstroke™ actuator design)						
Assembly Height (in.)	Volume @ 100 PSIG (in <sup>3</sup> )	Pounds Force				
		@20 PSIG	@40 PSIG	@60 PSIG	@80 PSIG	@100 PSIG
13.0	900	1,000	2,030	3,170	4,320	5,580
12.0	835	1,210	2,420	3,720	5,040	6,440
11.0	763	1,330	2,680	4,120	5,570	7,100
10.0	687	1,380	2,820	4,330	5,850	7,460
9.0	609	1,400	2,860	4,390	5,920	7,530
8.0	531	1,400	2,850	4,390	5,930	7,510
7.0	453	1,410	2,860	4,410	5,950	7,530
6.0	374	1,440	2,930	4,530	6,080	7,730