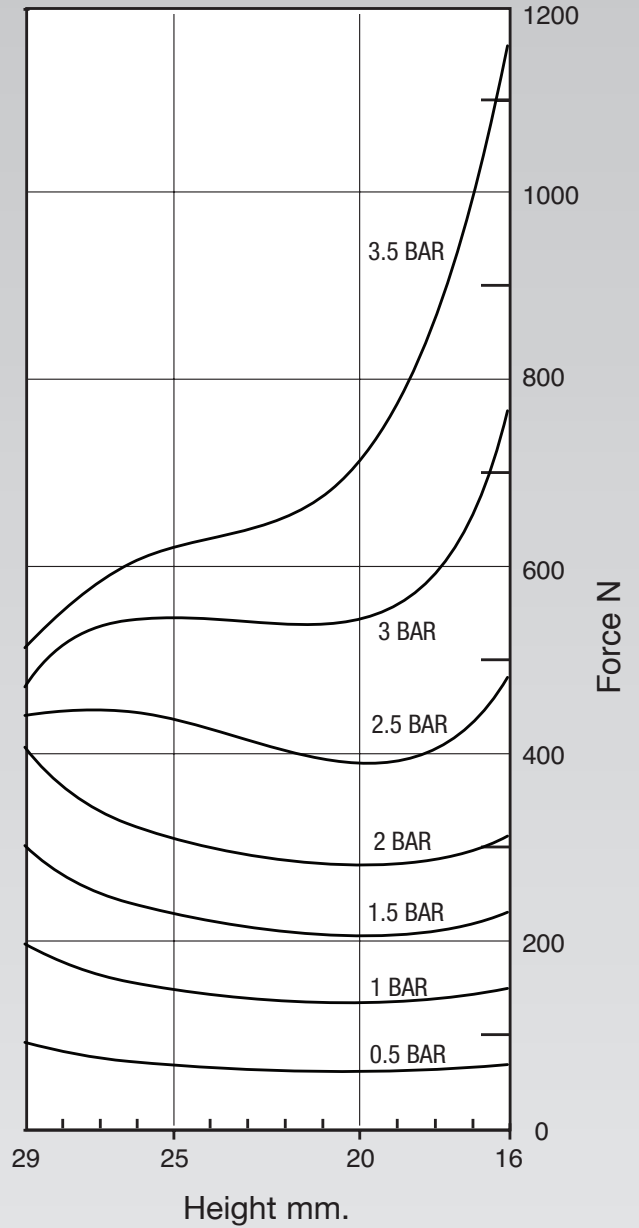
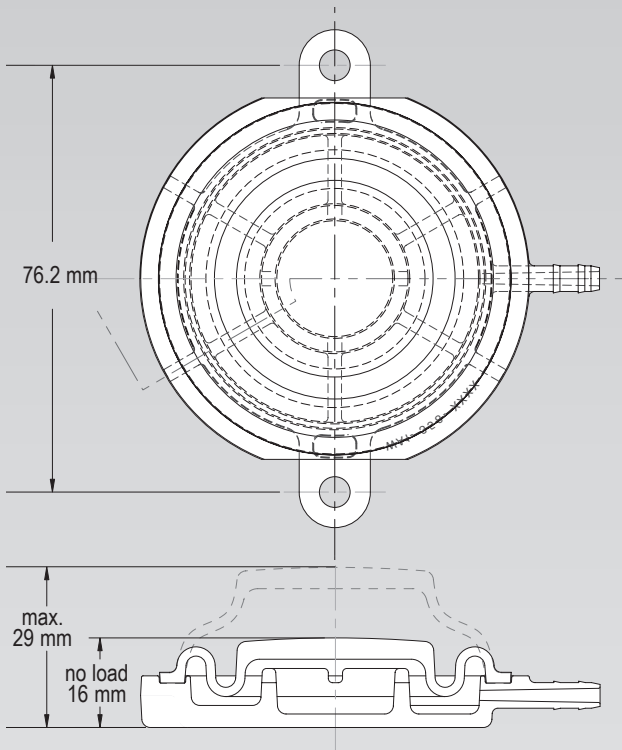


Description	Assembly Order No.
70-P-13	WA1-358-5674



Use #8 or 4mm screws to mount through tabs.

Use .18 [4.6] ID nylon or equivalent tubing.

**NOTE:**  
Do not use as an Airmount isolator.

Force Table (Use for Airstroke™ actuator design)								
Assembly Height (mm)	Volume @ 7 BAR (cu cm)	kN Force						
		.5 BAR	1 BAR	1.5 BAR	2 BAR	2.5 BAR	3 BAR	3.5 BAR
16		78	157	235	314	480	757	1139
19		74	148	223	297	393	561	799
21		75	151	226	301	401	523	664
24		79	157	236	314	425	532	629
26		83	166	248	331	448	538	593
29		102	204	306	409	439	470	512