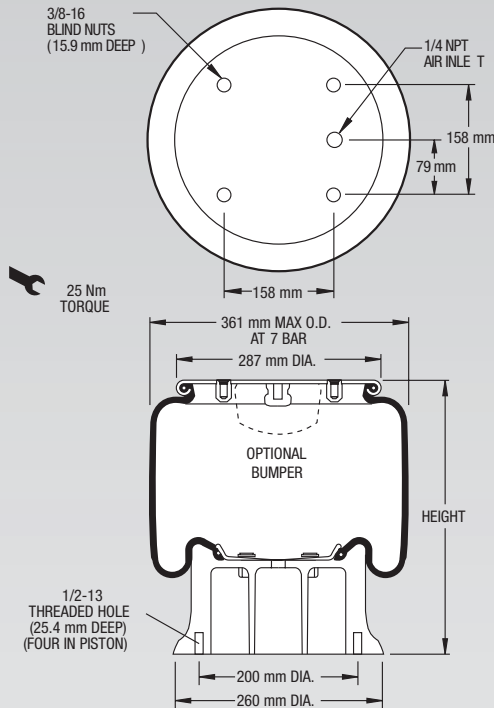


NOTE: All Assembly Order Numbers are for bead plate parts unless noted otherwise.

| | Description | Assembly Order No. |
|----------------------|---|--------------------|
| Style | Blind nuts, 1/4 NPT | W01-358-9148 |
| 1T19L-7 | Blind nuts, 1/4 NPT, bumper | W01-358-9149 |
| Two Ply Bellows | Blind nuts, 3/4 NPT | W01-358-9172 |
| | Blind nuts, 3/4 NPT, bumper | W01-358-9160 |
| | Countersunk steel bead ring 1 1/4 bolts, nuts, washers | W01-358-9165 |
| Assembly weight..... | | 11.16 kg. |



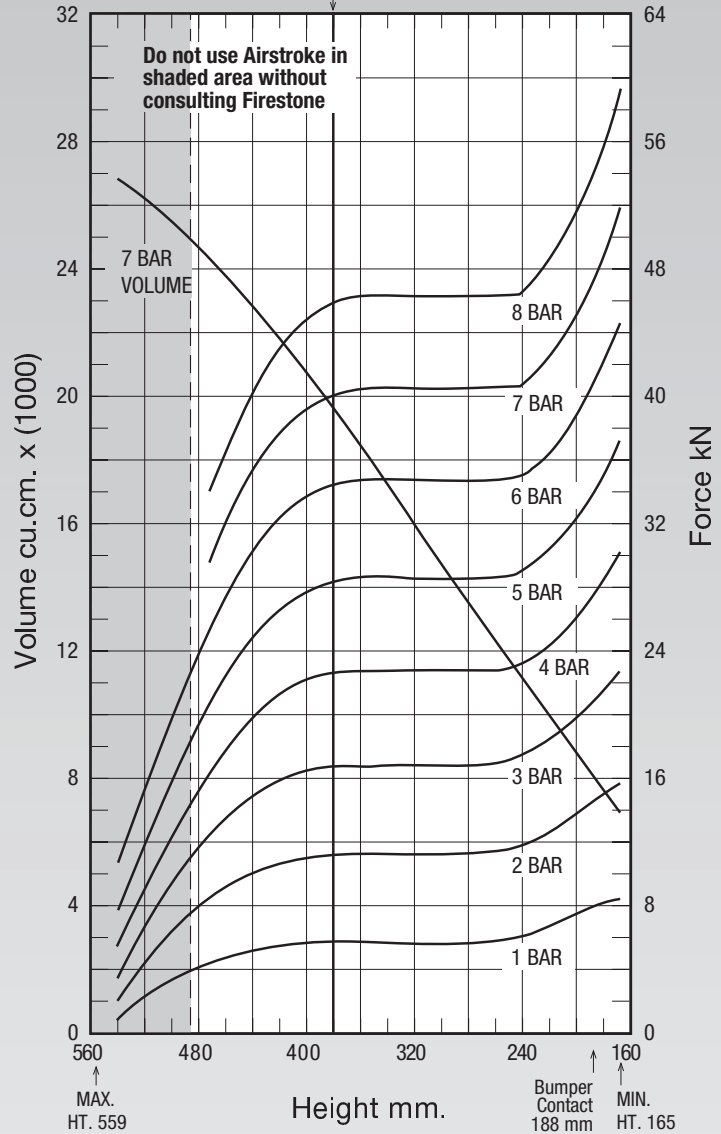
NOTE: Bellows will not compress properly with less than .7 BAR internal pressure.

NOTE: A bead plate part is shown. This part is also available with a bead ring. Bolts are not included. See pages 8-10 for explanation.

| Dynamic Characteristics at 380 mm Design Height (Required for Airmount isolator design only) | | | |
|---|-----------|--------------------|----------------------|
| Gauge Pressure (BAR) | Load (kN) | Spring Rate (kN/m) | Natural Frequency Hz |
| 3 | 16.82 | 98 | 1.20 |
| 4 | 22.64 | 128 | 1.18 |
| 5 | 28.37 | 155 | 1.17 |
| 6 | 34.49 | 186 | 1.16 |
| 7 | 40.18 | 215 | 1.15 |

CONSULT FIRESTONE BEFORE USING AS AIRMOUNT

RECOMMENDED AIRMOUNT DESIGN HEIGHT 380 mm.



See page 12 for instructions on how to use chart.

| Force Table (Use for Airstroke™ actuator design) | | | | | | | |
|--|------------------------|--------------------------|----------|---------|---------|---------|---------|
| Assembly Height (mm) | Volume @ 7 BAR (cu cm) | EFF Area @ 7 BAR (cm sq) | kN Force | | | | |
| | | | @ 3 BAR | @ 4 BAR | @ 5 BAR | @ 6 BAR | @ 7 BAR |
| 460 | 23795 | 454 | 13.44 | 17.70 | 22.22 | 27.17 | 31.77 |
| 420 | 21800 | 536 | 15.94 | 21.20 | 26.54 | 32.23 | 37.53 |
| 380 | 19624 | 574 | 16.82 | 22.64 | 28.37 | 34.49 | 40.18 |
| 340 | 17263 | 580 | 16.84 | 22.78 | 28.56 | 34.78 | 40.56 |
| 300 | 14779 | 580 | 16.85 | 22.78 | 28.56 | 34.78 | 40.56 |
| 260 | 12355 | 580 | 16.85 | 22.78 | 28.56 | 34.78 | 40.56 |
| 220 | 9981 | 606 | 18.44 | 24.34 | 30.28 | 36.48 | 42.38 |
| 180 | 7648 | 698 | 21.43 | 28.27 | 35.08 | 42.10 | 48.84 |